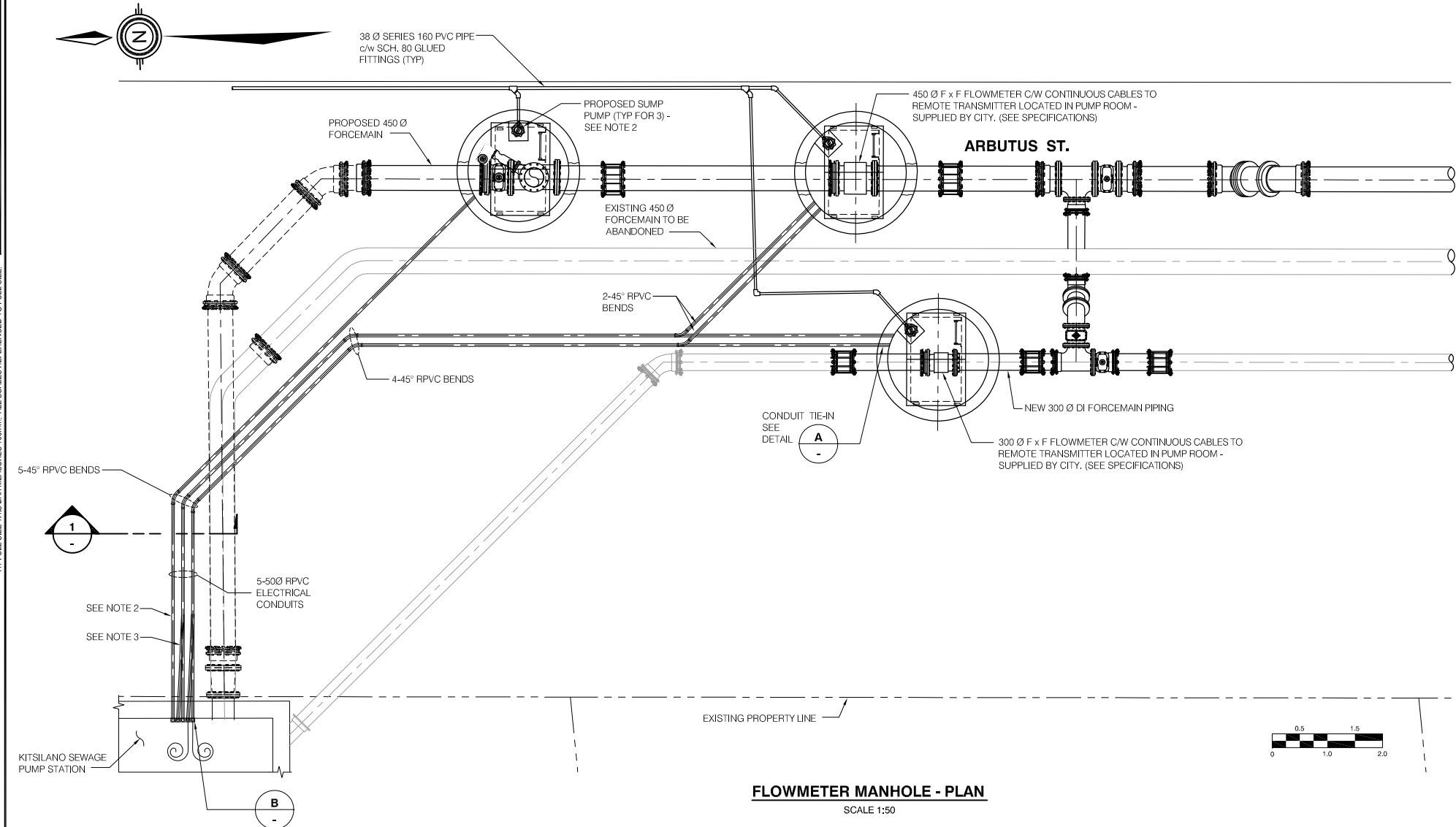
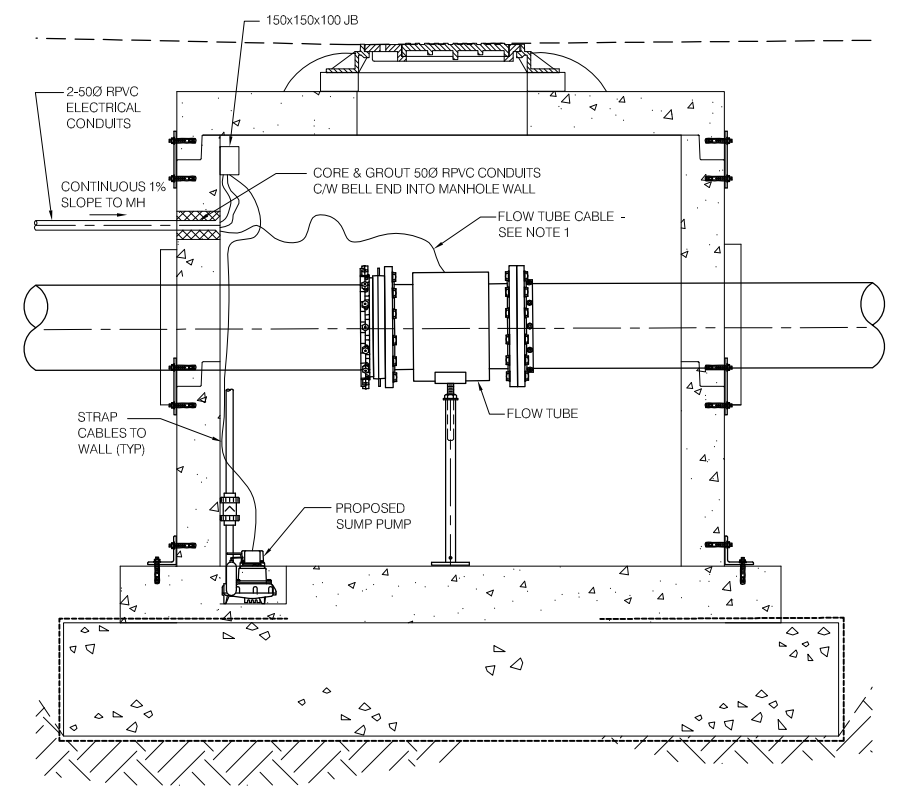




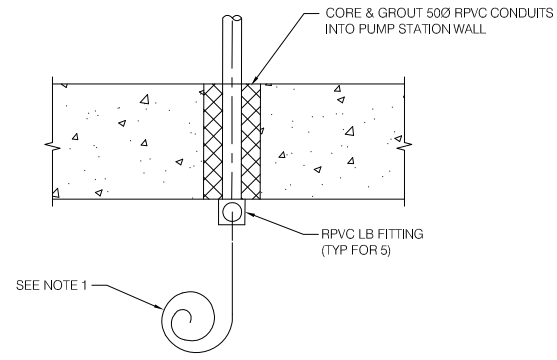
AT FULL SIZE THIS BAR MEASURES 100mm. ALL SCALES REFERENCED TO FULL SIZE.



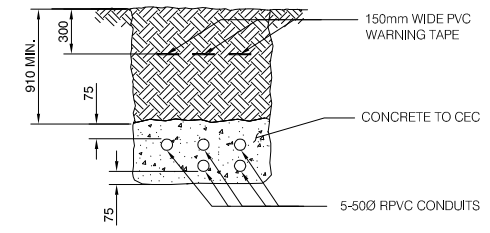
FLOWMETER MANHOLE - PLAN
SCALE 1:50



MANHOLE CONDUIT DETAIL A
SCALE 1:20



PUMP STATION CONDUIT DETAIL B
1:10



DUCT TRENCH SECTION 1
N.T.S.

- NOTES:**
1. COIL EXTRA 6m OF EACH FLOW TUBE COAXIAL CABLE INSIDE PUMP STATION.
 2. LOCATION OF CONDUITS & SUMP PUMPS TO BE CONFIRMED ON SITE PRIOR TO INSTALLATION.
 3. SPLAY DUCTS BEFORE ENTERING PUMP STATION WALL.



101 - 1861 Welch St.
North Vancouver B.C.
V7P 1B7 604-985-0508

| Issued for | Issue | Date | Issued By | Rev. No. | Date | Designed | Drawn | Checked | Description of Revision | Rev. No. | Date | Designed | Drawn | Checked | Description of Revision |
|-----------------|-------|-----------|-----------|----------|-----------|----------|-------|---------|-------------------------|----------|------|----------|-------|---------|-------------------------|
| Reference | | | | 0 | June 2/10 | TS | DL | PM | - | | | | | | |
| Approvals | A0 | May 19/10 | | 1 | Aug 31/10 | TS | DL | PM | ISSUED FOR CONSTRUCTION | | | | | | |
| Tender | | | | | | | | | | | | | | | |
| Permits | | | | | | | | | | | | | | | |
| Construction | | | | | | | | | | | | | | | |
| Record Drawings | | | | | | | | | | | | | | | |



200 - 4185A Still Creek Dr. Tel: 604-294-2088
Burnaby, B.C. Fax: 604-294-2090
V5C 6G9 www.kwl.ca

KITSILANO FORCEMAINS, GRAVITY SEWERS AND PUMP STATION UPGRADES ELECTRICAL

ARBUTUS ST. CONDUIT LAYOUT

KWL Project No. 42-060 Scale AS SHOWN **APP9-E1**

Sheet 1 of 1 Rev. No. 1 Drawing Number

Client: CITY OF VANCOUVER PRINTED ON 100% RECYCLED BOND

Z:\Omni Projects\1972 KWL - Kitsilano Pump Station\Omni Drawings\SITE CONSTRUCTION\REV\KWL\06\04\01\APP9-E1.dwg (REV 1) KAS/SAV BY: TONY