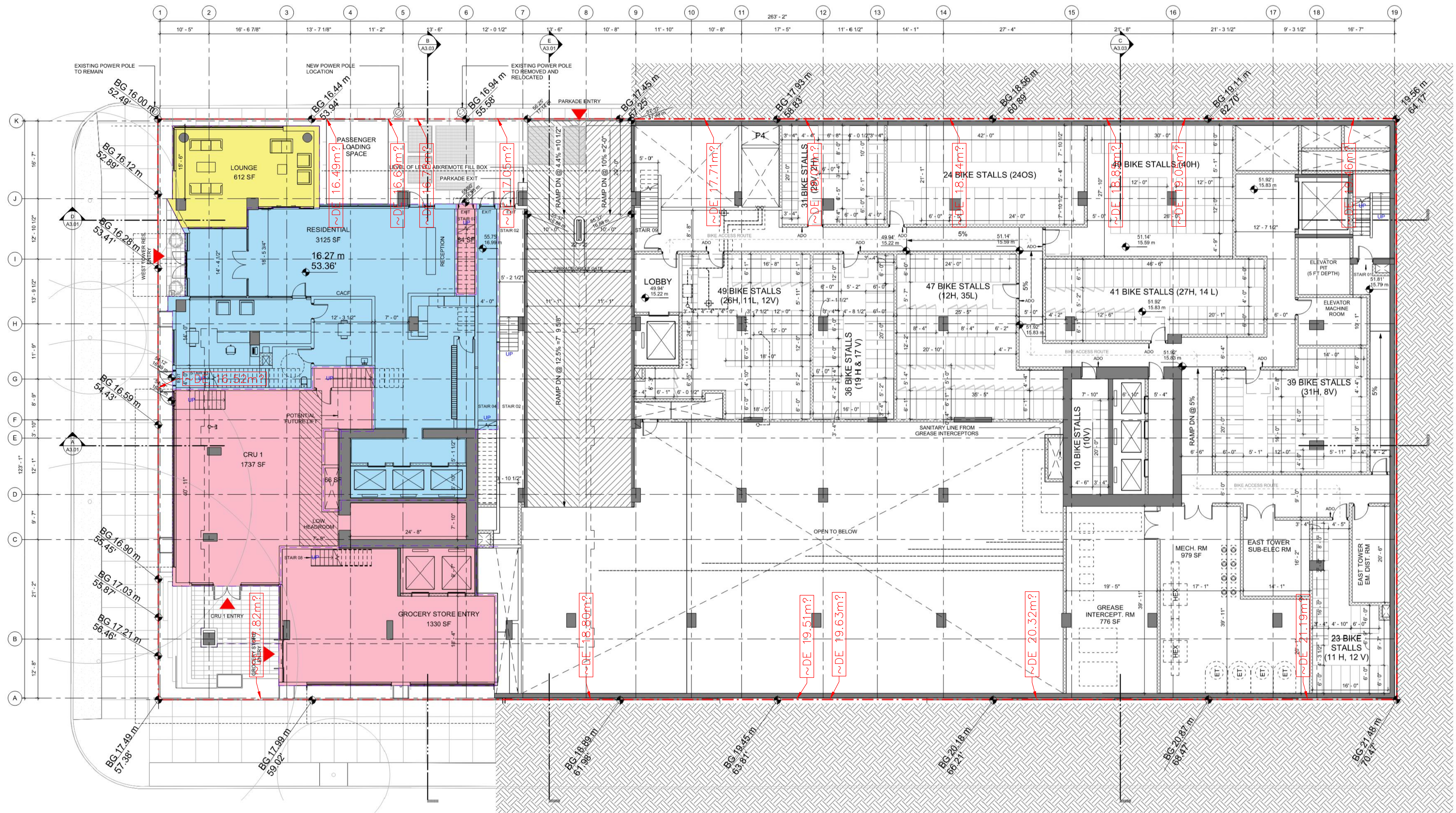
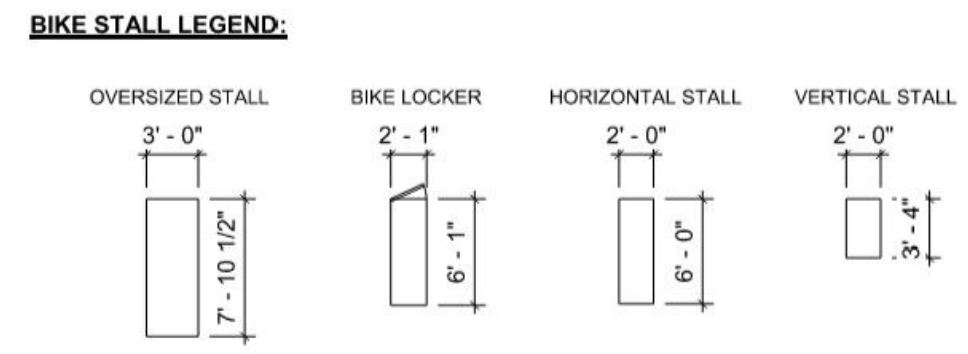


5.7 WEST TOWER LEVEL 1 FLOOR PLAN



PROVIDED RESIDENTIAL BIKE STALLS IN P1 MEZZ

| | | |
|------------|------------|-----|
| CLASS A | HORIZONTAL | 168 |
| CLASS A | LOCKERS | 60 |
| CLASS A | OVERSIZED | 24 |
| CLASS A | VERTICAL | 88 |
| TOTAL: 340 | | |



ARCH D, 3/32" = 1'-0" SCALE



1525 AND 1555 ROBSON STREET, VANCOUVER, BC