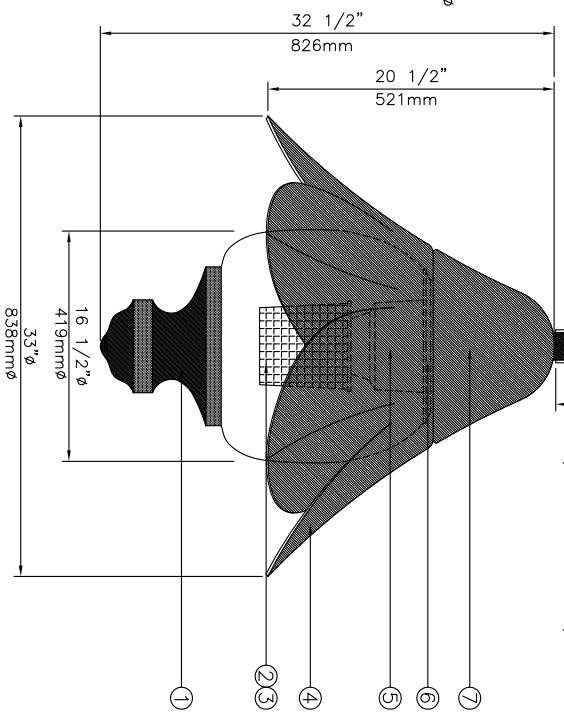
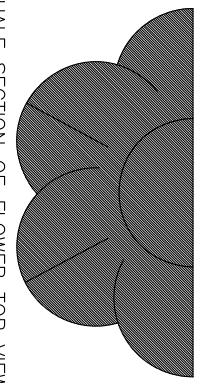


HALF SECTION OF FLOWER TOP VIEW

- LUMEC LUMINAIRE SPECIFICATIONS:
1. GLOBE: MADE OF FROSTED CLEAR POLYCARBONATE
  2. LAMP: 70 WATT, HIGH PRESSURE SODIUM, ED 23 1/2 BULB, MODUL BASE, NOT INCLUDED
  3. DETAILS: A ROUND PRISMATIC BOROSILICATE THERMO-RESISTANT REFRACTOR, TYPE 3 (ASYMMETRICAL) DISTRIBUTION
  4. DECORATIVE REFLECTOR: 6 PETAL-STYLED MADE OF CAST ALUMINUM, MECHANICALLY SECURED
  5. BALLAST: 70 WATT, HPS, HIGH POWER FACTOR OF 90% OR BETTER, DUAL TAP, 120/240 VOLT, WIRED AT 240 VOLT, -39F (-34C)
  6. LOCKING SYSTEM: "ROMANTIC", MADE OF CAST ALUMINUM, QUARTER TURN SYSTEM C/W 3 INDEPENDANT PRESSURE POINTS, PROVIDING SECURE ANCHORAGE
  7. HOUSING: MADE OF CAST ALUMINUM, MECHANICALLY SECURED TO THE BRACKET

- ARM & VINE SPECIFICATIONS:
1. WEST COAST ENGINEERING 6ft. x 2 3/8" O.D. PRIMED AND POWDER-COATED DOWNTOWN SOUTH BLUE
  2. MASTER ENGINEERING VINE & IVY-STYLED LEAVES (APPROX. 50-60 LEAVES) POWDER COATED CAMBIE GREEN



		<b>CITY OF VANCOUVER - ENGINEERING SERVICES</b>	
DIV./BR. STREET LIGHTING		DESIGN: MCM	
DATE: JUL '99		CHK: MCM	
DWG. RA		VICE PRINOT 1	
REFS: LUMEC 123-51644		DWG. NO. LDS-1.8	
NO. 1		SHEET: 6 OF 0	
DATE		REVISION: 0	
REVISION		BY	
NO.		CHK	