

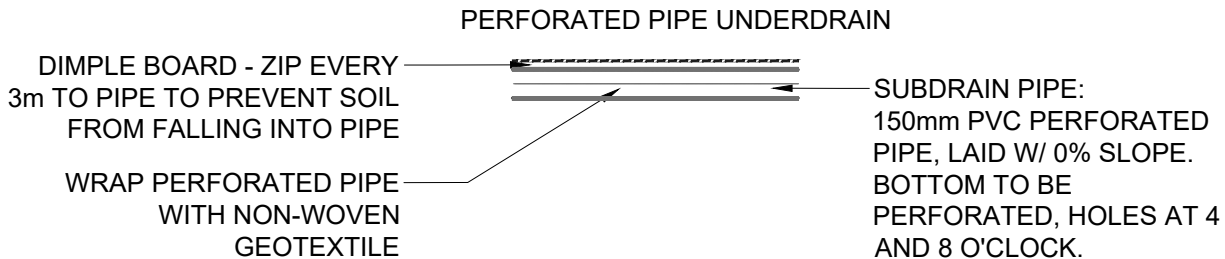
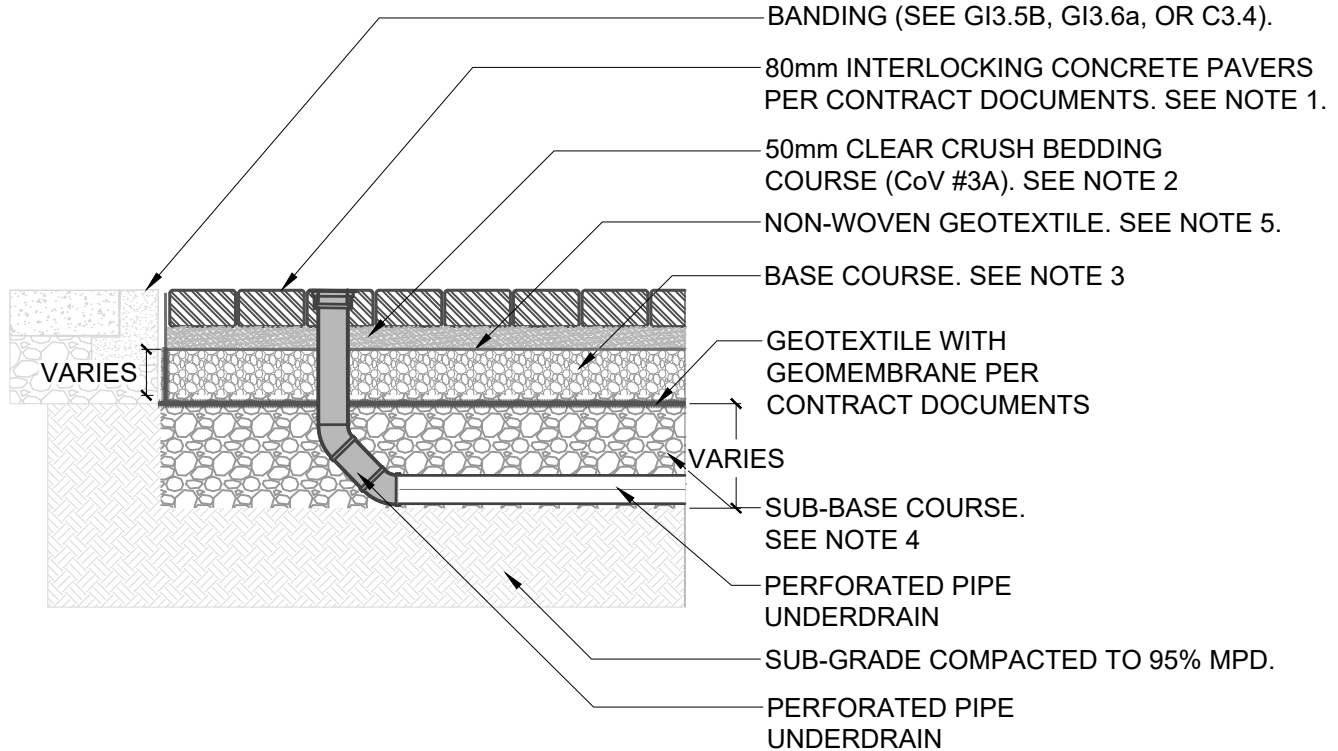
NOTES:

1. **PAVERS:** PAVERS TO BE ARRANGED IN A HERRINGBONE OR RUNNING BOND PATTERN. MATERIAL AND PLACEMENT PER CONTRACT DOCUMENTS. JOINT WIDTH BETWEEN PAVERS MUST BE GREATER THEN 6mm,
2. **BEDDING COURSE:** ANGULAR CLEAR CRUSH (COV #3A) COMPACTED TO 95% MODIFIED PROCTOR. MINIMUM THICKNESS OF 50mm. BEDDING COURSE MATERIAL TO BE USED AS JOINT FILLER.
3. **BASE MATERIAL:** BASE COURSE TO BE ASTM NO. 57 (CSA A23.1 GROUP II 28-14mm) OR 20mm CLEAR CRUSH (COV #15) OR AN APPROVED EQUIVALENT. MINIMUM THICKNESS OF 150mm.
4. **SUB-BASE MATERIAL:** SUB-BASE RESERVOIR TO BE COV #15, ASTM NO. 2, ASTM NO. 3, ASTM NO. 4, OR AN APPROVED EQUIVALENT. DEPTH TO BE DETERMINED BY GI BRANCH. MINIMUM THICKNESS OF 300mm ON LANEWAYS
5. **GEOTEXTILE FABRIC LAYER:** A NON-WOVEN GEOTEXTILE MUST BE INSTALLED BENEATH THE BEDDING COURSE. ADDITIONAL NON-WOVEN GEOTEXTILE PER CONTRACT DOCUMENTS.
6. ALL DIMENSIONS IN MILLIMETERS UNLESS STATED OTHERWISE.

REV.	REVISION DATE	APPROVED

PERMEABLE PAVEMENTS
PERMEABLE CONCRETE PAVERS

ISSUE DATE: DECEMBER 2023
APPROVED BY: N. MEAD-FOX



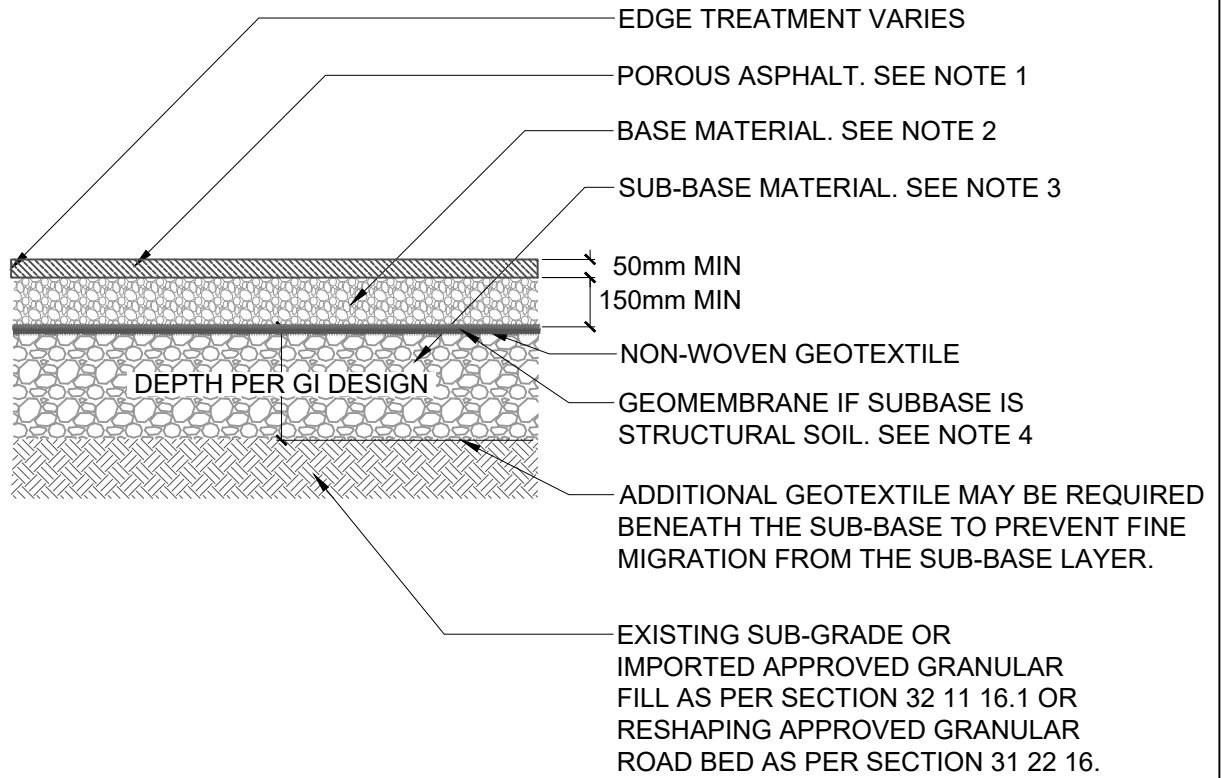
NOTES:

1. **PAVERS:** PAVERS TO BE ARRANGED IN A HERRINGBONE OR RUNNING BOND PATTERN. MATERIAL AND PLACEMENT PER CONTRACT DOCUMENTS. JOINT WIDTH BETWEEN PAVERS MUST BE GREATER THAN 6mm.
2. **BEDDING COURSE:** ANGULAR CLEAR CRUSH (COV #3A) COMPACTED TO 95% MODIFIED PROCTOR. MINIMUM THICKNESS OF 50mm. BEDDING COURSE MATERIAL TO BE USED AS JOINT FILLER
3. **BASE MATERIAL:** BASE COURSE TO BE ASTM NO. 57 (CSA A23.1 GROUP II 28-14mm) OR 20mm CLEAR CRUSH (COV #15) OR AN APPROVED EQUIVALENT. MINIMUM THICKNESS OF 150mm.
4. **SUB-BASE MATERIAL:** SUB-BASE RESERVOIR TO BE COV #15, ASTM NO. 2, ASTM NO. 3, ASTM NO. 4, OR AN APPROVED EQUIVALENT. MINIMUM THICKNESS OF 150mm IF SUB-BASE LAYER IS REQUIRED.
5. **GEOTEXTILE FABRIC LAYER:** A NON-WOVEN GEOTEXTILE MUST BE INSTALLED BENEATH THE BEDDING COURSE. ADDITIONAL NON-WOVEN GEOTEXTILE PER CONTRACT DOCUMENTS.
6. ALL DIMENSIONS IN MILLIMETERS UNLESS STATED OTHERWISE.

REV.	REVISION DATE	APPROVED

PERMEABLE PAVEMENTS
PERMEABLE PAVERS WITH UNDERDRAIN

ISSUE DATE: DECEMBER 2023
APPROVED BY: N. MEAD-FOX



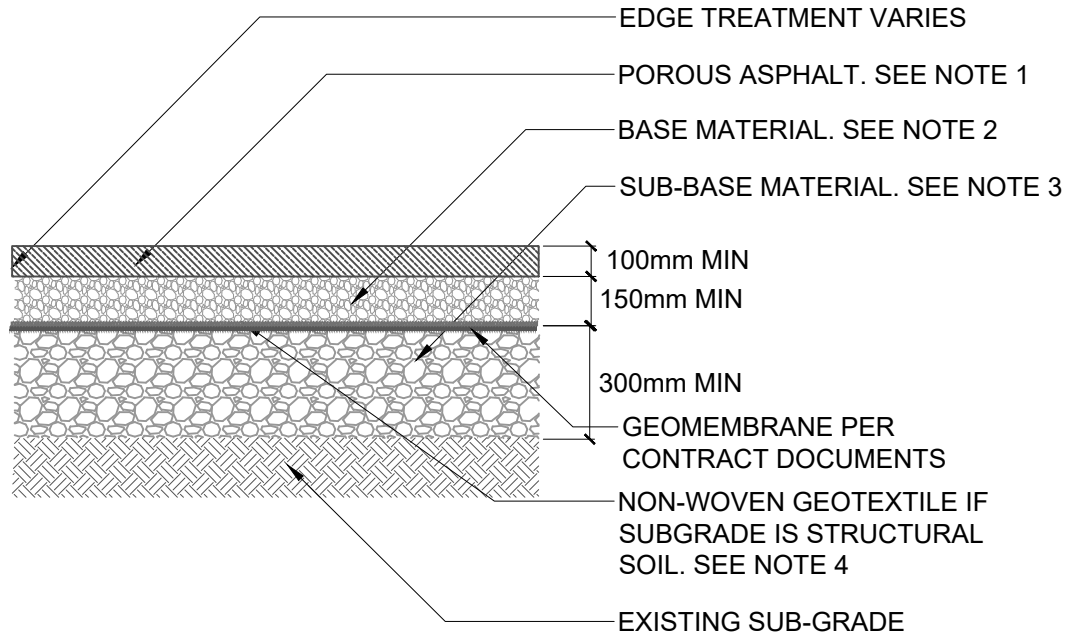
NOTES:

1. POROUS ASPHALT: 50mm MIN. MATERIAL PER CONTRACT DOCUMENTS
2. BASE MATERIAL: BASE COURSE TO BE ASTM NO. 57 (CSA A23.1 GROUP II 28-14mm) OR 20mm CLEAR CRUSH (COV #15) OR AN APPROVED EQUIVALENT. MINIMUM THICKNESS OF 150mm.
3. SUB-BASE MATERIAL: SUB-BASE RESERVOIR IS OPTIONAL IF THE EXISTING NATIVE SUBGRADE IS APPROVED BY THE GEOTECHNICAL ENGINEER. MINIMUM THICKNESS TO BE 150mm IF SUB-BASE LAYER IS REQUIRED. ADDITIONAL DEPTH TO BE DETERMINED BY GI DESIGN REQUIREMENTS. ACCEPTABLE MATERIALS INCLUDE COV #15, STRUCTURAL SOIL, ASTM NO. 2, ASTM NO. 3, ASTM NO. 4, OR OTHER APPROVED EQUIVALENT
4. GEOTEXTILE FABRIC: NON-WOVEN GEOTEXTILE PER CONTRACT DOCUMENTS.
5. GEOMEMBRANE: GEOMEMBRANE IS OPTIONAL. PER CONTRACT DOCUMENTS
6. EDGE TREATMENT: CONCRETE EDGE TREATMENT IS REQUIRED AT THE BOUNDARY OF ALL BIKELANES. SEE GI3.5B OR C3.4.
7. ALL DIMENSIONS IN MILLIMETERS UNLESS STATED OTHERWISE.

REV.	REVISION DATE	APPROVED

PERMEABLE PAVEMENTS
POROUS ASPHALT BIKELANE

ISSUE DATE: DECEMBER 2023
APPROVED BY: N. MEAD-FOX



IMPORTED APPROVED GRANULAR FILL AS PER SECTION 32 11 16.1 OR RESHAPING APPROVED GRANULAR ROAD BED AS PER SECTION 31 22 16.

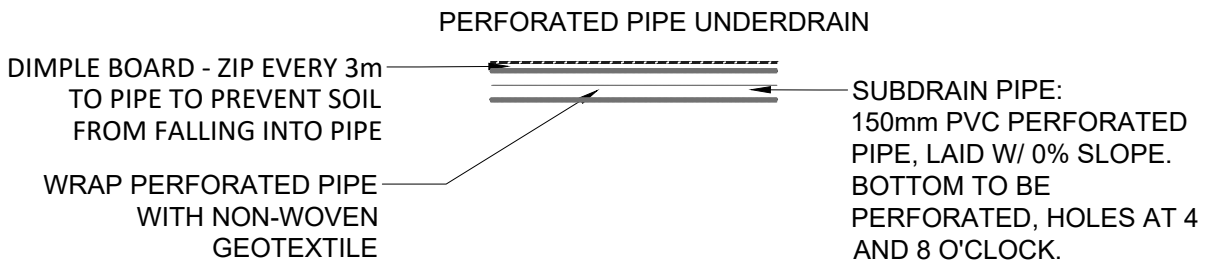
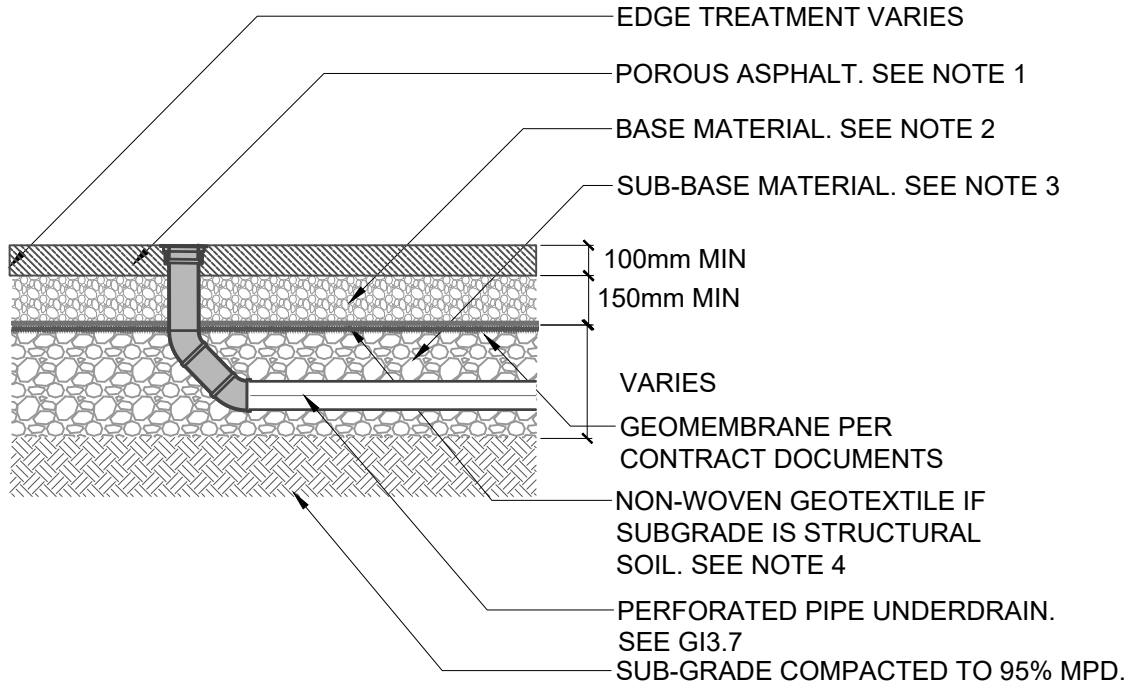
NOTES:

1. POROUS ASPHALT: 100mm MIN. POROUS ASPHALT MATERIAL OR PER CONTRACT DOCUMENTS
2. BASE MATERIAL: BASE COURSE TO BE ASTM NO. 57 (CSA A23.1 GROUP II 28-14mm) OR 20mm CLEAR CRUSH (COV #15) OR AN APPROVED EQUIVALENT. MINIMUM THICKNESS OF 150mm.
3. SUB-BASE MATERIAL: SUB-BASE RESERVOIR TO BE COV #15, STRUCTURAL SOIL, ASTM NO. 2, ASTM NO. 3, ASTM NO. 4, OR AN APPROVED EQUIVALENT. MINIMUM THICKNESS OF 300mm
4. GEOTEXTILE FABRIC: NON-WOVEN GEOTEXTILE PER CONTRACT DOCUMENTS.
5. GEOMEMBRANE: GEOMEMBRANE (OPTIONAL) PER CONTRACT DOCUMENTS
6. ALL DIMENSIONS IN MILLIMETERS UNLESS STATED OTHERWISE.

REV.	REVISION DATE	APPROVED

PERMEABLE PAVEMENTS
POROUS ASPHALT LANEWAY

ISSUE DATE: DECEMBER 2023
APPROVED BY: N. MEAD-FOX



NOTES:

1. POROUS ASPHALT: POROUS ASPHALT MATERIAL PER CONTRACT DOCUMENTS
2. BASE MATERIAL: BASE COURSE TO BE ASTM NO. 57 (CSA A23.1 GROUP II 28-14mm) OR 20mm CLEAR CRUSH (COV #15) OR AN APPROVED EQUIVALENT. MINIMUM THICKNESS OF 150mm
3. SUB-BASE MATERIAL: SUB-BASE RESERVOIR TO BE COV #15, STRUCTURAL SOIL, ASTM NO. 2, ASTM NO. 3, ASTM NO. 4, OR AN APPROVED EQUIVALENT. MINIMUM THICKNESS OF 300mm ON LANEWAYS. OTHERWISE, DEPTH TO BE DETERMINED BY GI BRANCH.
4. GEOTEXTILE FABRIC: NON-WOVEN GEOTEXTILE PER CONTRACT DOCUMENTS.
5. GEOMEMBRANE: GEOMEMBRANE PER CONTRACT DOCUMENTS
6. ALL DIMENSIONS IN MILLIMETERS UNLESS STATED OTHERWISE.

REV.	REVISION DATE	APPROVED

PERMEABLE PAVEMENTS
POROUS ASPHALT WITH UNDERDRAIN

ISSUE DATE: DECEMBER 2023
APPROVED BY: N. MEAD-FOX