

SUMMER COOLING AND WINTER HEATING

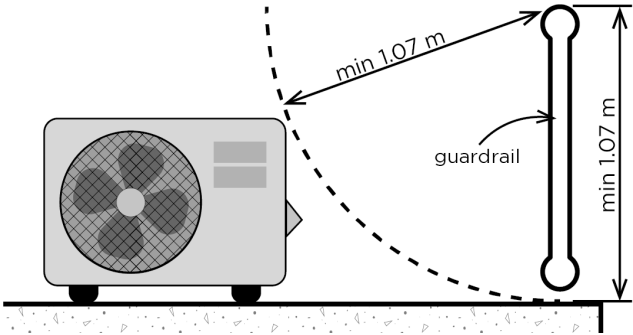


Installing a heat pump
on balconies and decks

vancouver.ca/mechanical-permit

Heat pumps are allowed on balconies and decks if the following are met:

- The owner has received written permission from the strata;
- The heat pump is installed by a licensed contractor who has their Municipal Heat Pump Certification;
- The heat pump is electric-based, and an inverter driven variable speed model;
- The outdoor heat pump unit is not wall-mounted and does not penetrate through any horizontal surface or additional suites; and
- The top portion of the heat pump is at least 1.07 metres away from the guardrail top or positioned to impede climbing.



If the above conditions are met, a licensed contractor can apply directly for mechanical and electrical permits online.



We recommend heat pumps that are 55dBA or less, but all installations must meet the Noise By-law requirements.

Questions? Email us:

cleanenergy@vancouver.ca

