

Medicine Wheel Healing Garden Top View
 L1 01
 scale: 1:50



Conceptual planting view: actual plant selections to be determined.

Medicine Wheel Aerial View
 L1 02
 scale: N.T.S.

GENERAL NOTES

DO NOT SCALE DRAWING. LAYOUT AS PER DIMENSIONS NOTED. REPORT ANY DISCREPANCIES TO PROJECT MANAGER FOR REVIEW AND RESPONSE.

SITE PREPARATION:

- REMOVE SOD OVER 7M-DIAMETER MEDICINE WHEEL AREA.
- CONCRETE WATER FIXTURE INSTALLATION AND SUB-GRADE IRRIGATION LINE RELOCATION TO BE DONE BY PARK BOARD.
- EXCAVATE CAREFULLY TO 200MM - HAND-DIGGING ONLY IF ANY TREE ROOTS OVER 50MM IN DIAMETER ARE ENCOUNTERED. CONTACT THE PARK BOARD AT 604.718.5852 TO ARRANGE A SITE REVIEW PRIOR TO PRUNING ANY ROOTS OVER 50 MM IN DIAMETER.
- IRRIGATION HEADS TO BE LOCATED PRIOR TO CONSTRUCTION OF BOXES/BINS.

OPPENHEIMER PARK
 MEDICINAL WHEEL
 HEALING GARDEN

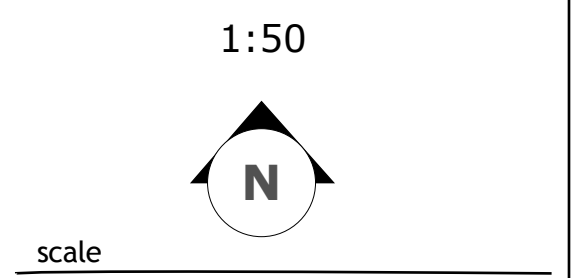
project

PLAN LAYOUT

drawing

L1

drawing number



CITY OF
 VANCOUVER
 OPPENHEIMER PARK

client

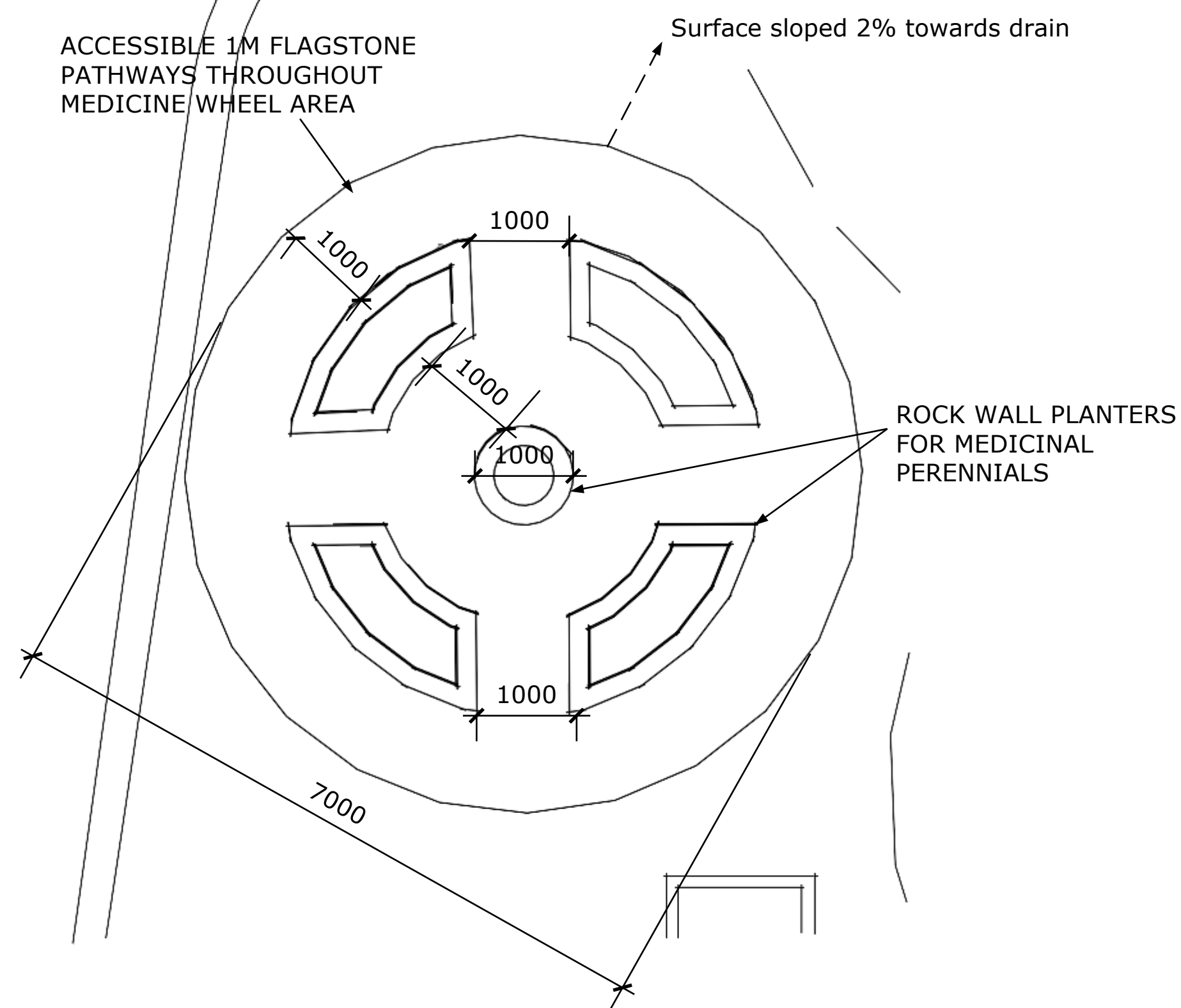
notes

DT
 drawn by

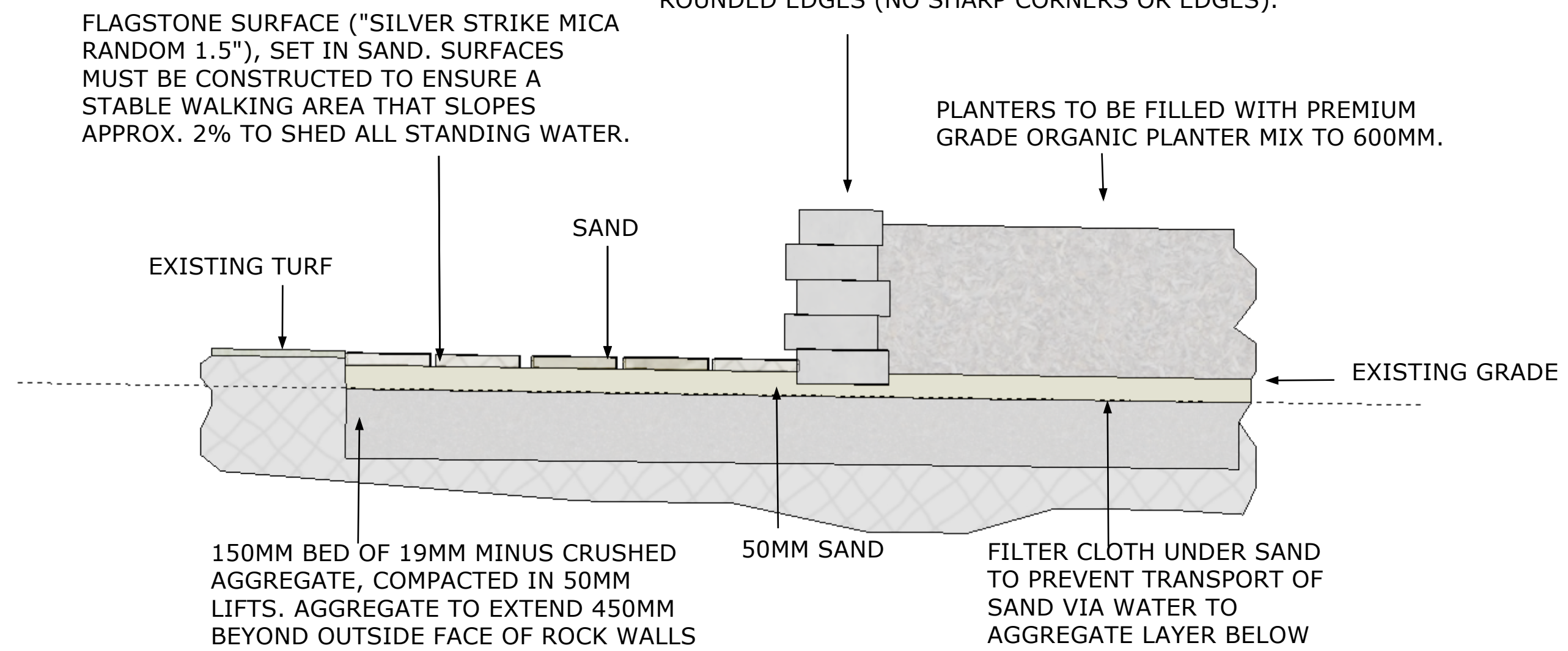
checked by

28 June 2012
 date

L2 01 Medicine Wheel Top View
scale: 1:50



L2 02 Medicine Wheel Planters Section View
scale: 1:10



WALLSTONE PLANTERS: HAND-SPLIT BASALT ROCK ("GOLD RIDGE MINI-WALLSTONE") MORTARED IN LAYERS TO HEIGHT OF 600MM FROM GRADE. LAY CONTINUOUS MORTAR MESH BETWEEN LAYERS OF STONE. STONES ARE TO BE SET IN PLACE SO THEY ARE STABLE AND DO NOT HOLD WATER. STONES ARE TO BE SELECTED TO HAVE ROUNDED EDGES (NO SHARP CORNERS OR EDGES).

FLAGSTONE SURFACE ("SILVER STRIKE MICA RANDOM 1.5"), SET IN SAND. SURFACES MUST BE CONSTRUCTED TO ENSURE A STABLE WALKING AREA THAT SLOPES APPROX. 2% TO SHED ALL STANDING WATER.

PLANTERS TO BE FILLED WITH PREMIUM GRADE ORGANIC PLANTER MIX TO 600MM.

BOXES AND COMPOST BINS: VEGETABLE BOXES, TOOL BOX/BENCH AND COMPOST BINS TO BE BUILT BY COMMUNITY TOGETHER WITH ENVIRONMENTAL YOUTH ALLIANCE. ACTUAL DESIGNS WITHIN THESE DIMENSIONS MAY VARY. BOXES TO BE BUILT WITH 4X4 LUMBER AND CAPPED WITH 2X6 PLANKS.

STRUCTURES TO BE PLACED ON EXISTING GRADE -- NO SUB-GRADE DIGGING.

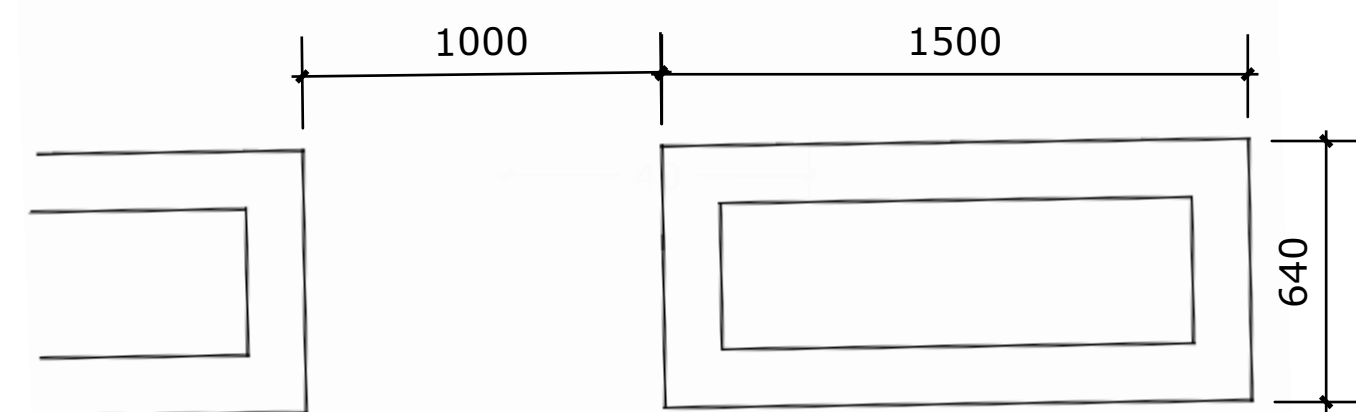
ALL WOOD TO BE CLEAR GRADE S4S WESTERN RED CEDAR -- NO PRESSURE-TREATED WOOD.

BOXES TO BE LINED WITH FILTER CLOTH AND FILLED WITH PREMIUM GRADE ORGANIC PLANTER MIX.

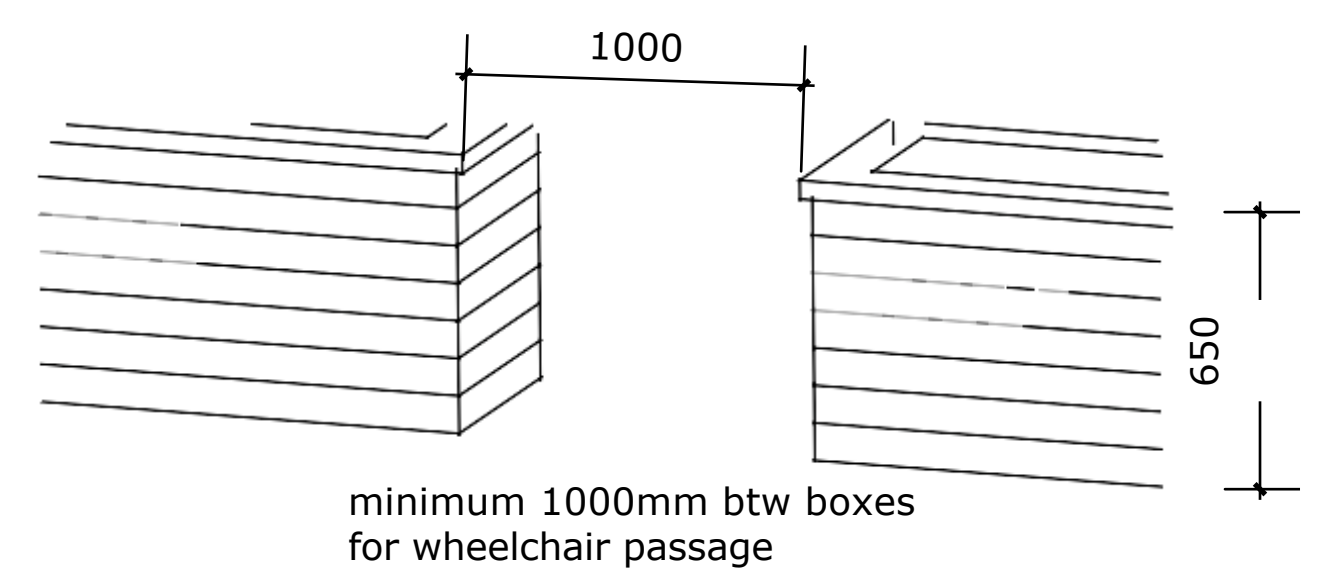
COMPOST BINS TO INCLUDE 1/4" GALVANIZED WIRE MESH AS PER "HOME-BUILT RODENT RESISTANT 3-BIN COMPOST SYSTEM" BUILDING INSTRUCTIONS AVAILABLE IN PDF FROM METROVANCOUVER.ORG. MODIFY 1-BIN AND 3-BIN SYSTEM PLANS TO CREATE 2-BIN SYSTEM.

TOOL BOX/BENCH AND COMPOST BINS TO INCLUDE LOCKABLE LIDS.

L2 03 Accessible Vegetable Boxes Top View
scale: 1:20



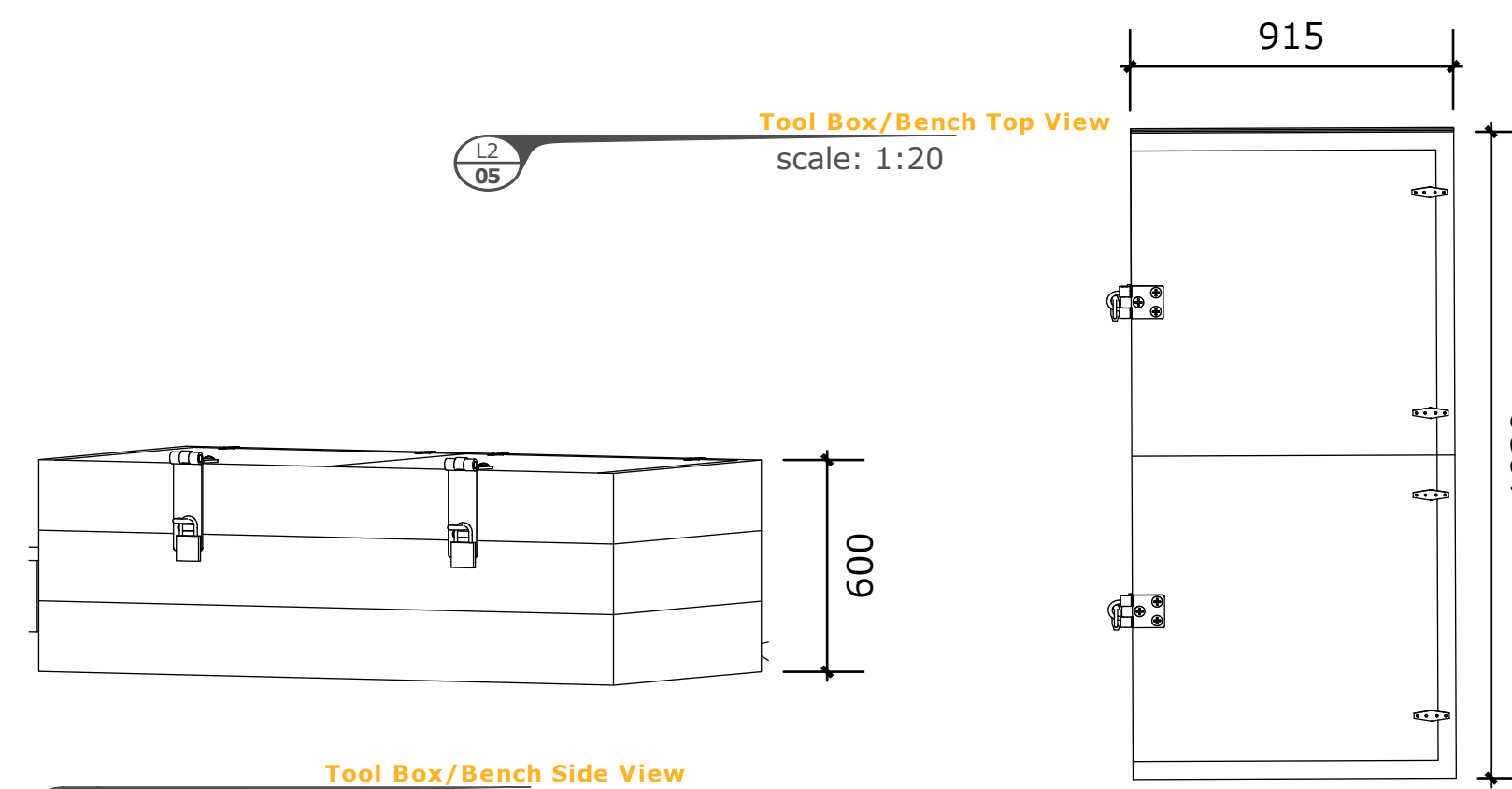
L2 04 Accessible Vegetable Boxes Aerial View
scale: 1:20



minimum 1000mm btw boxes for wheelchair passage

Vegetable boxes

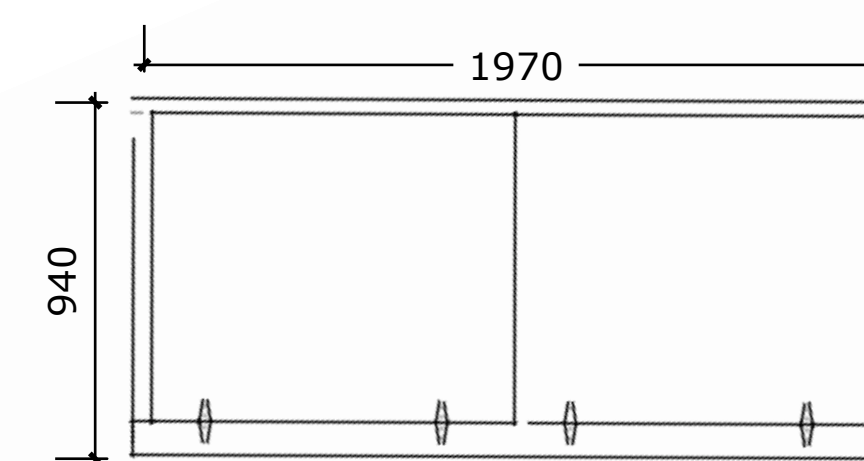
L2 05 Tool Box/Bench Top View
scale: 1:20



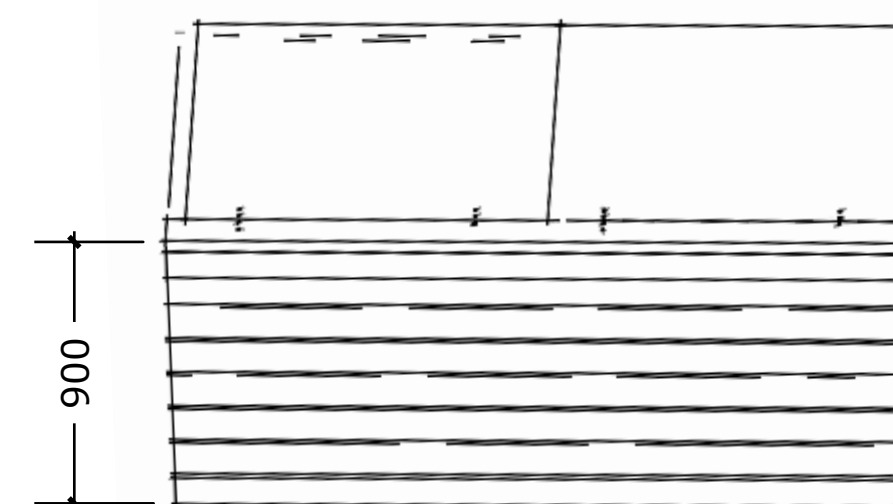
L2 06 Tool Box/Bench Side View
scale: 1:20

Storage bench

L2 07 Compost Bins Top View
scale: 1:20



L2 08 Compost Bins Aerial View
scale: 1:20



Duo compost bins

