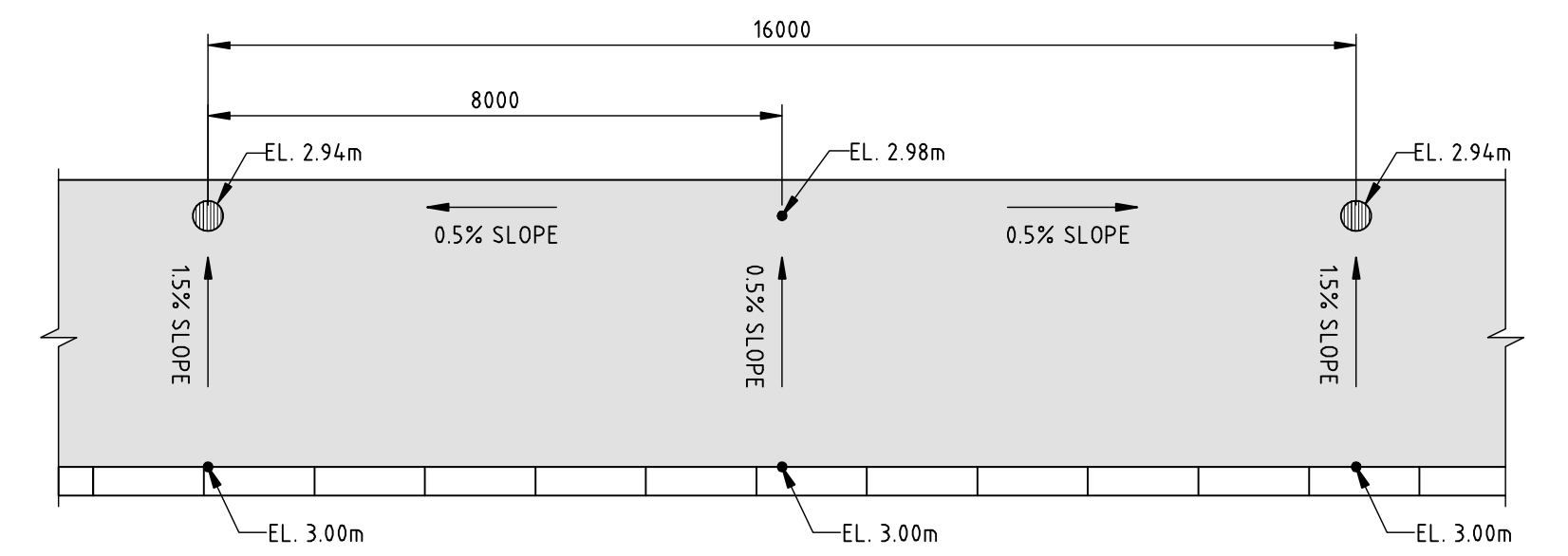
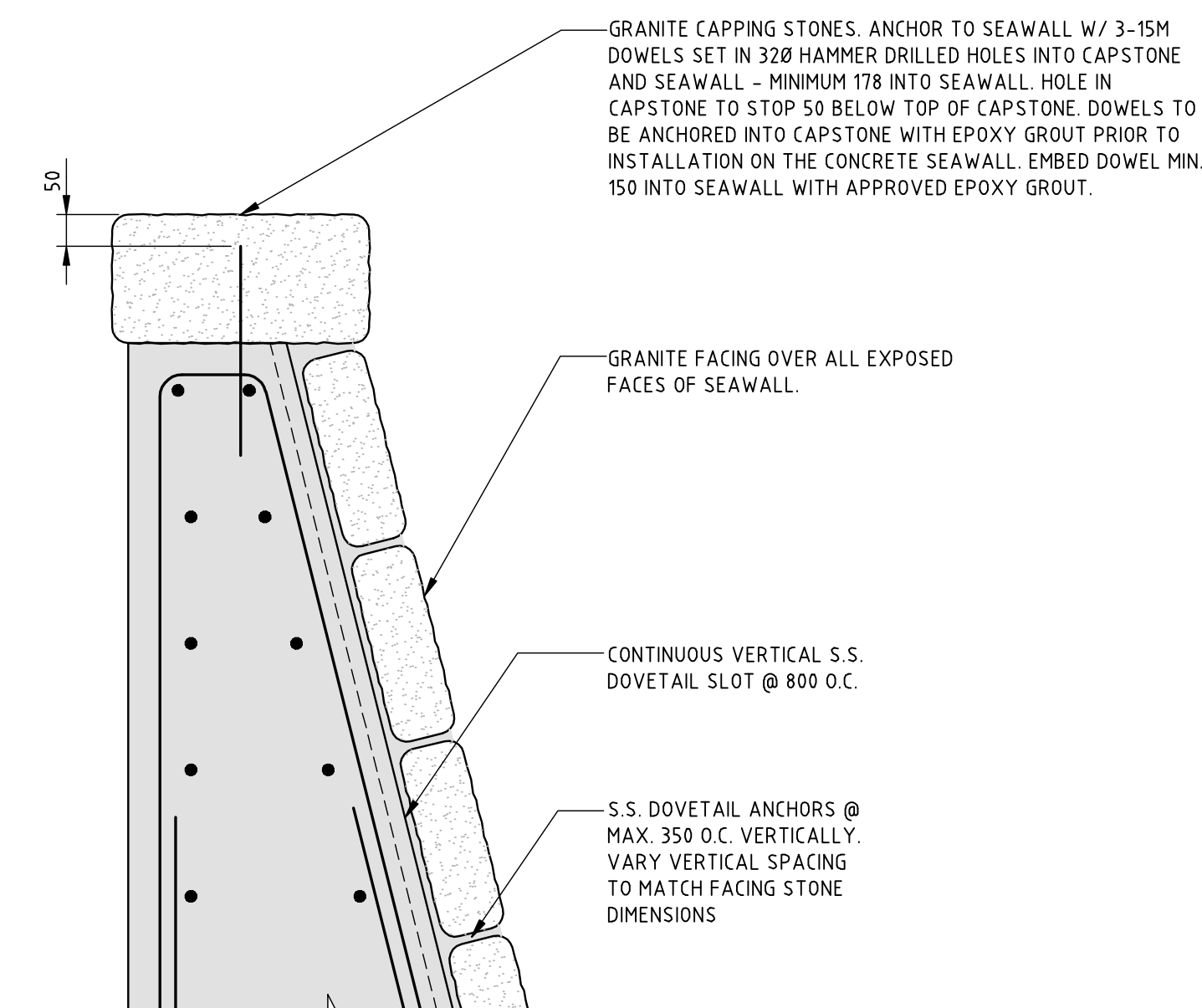


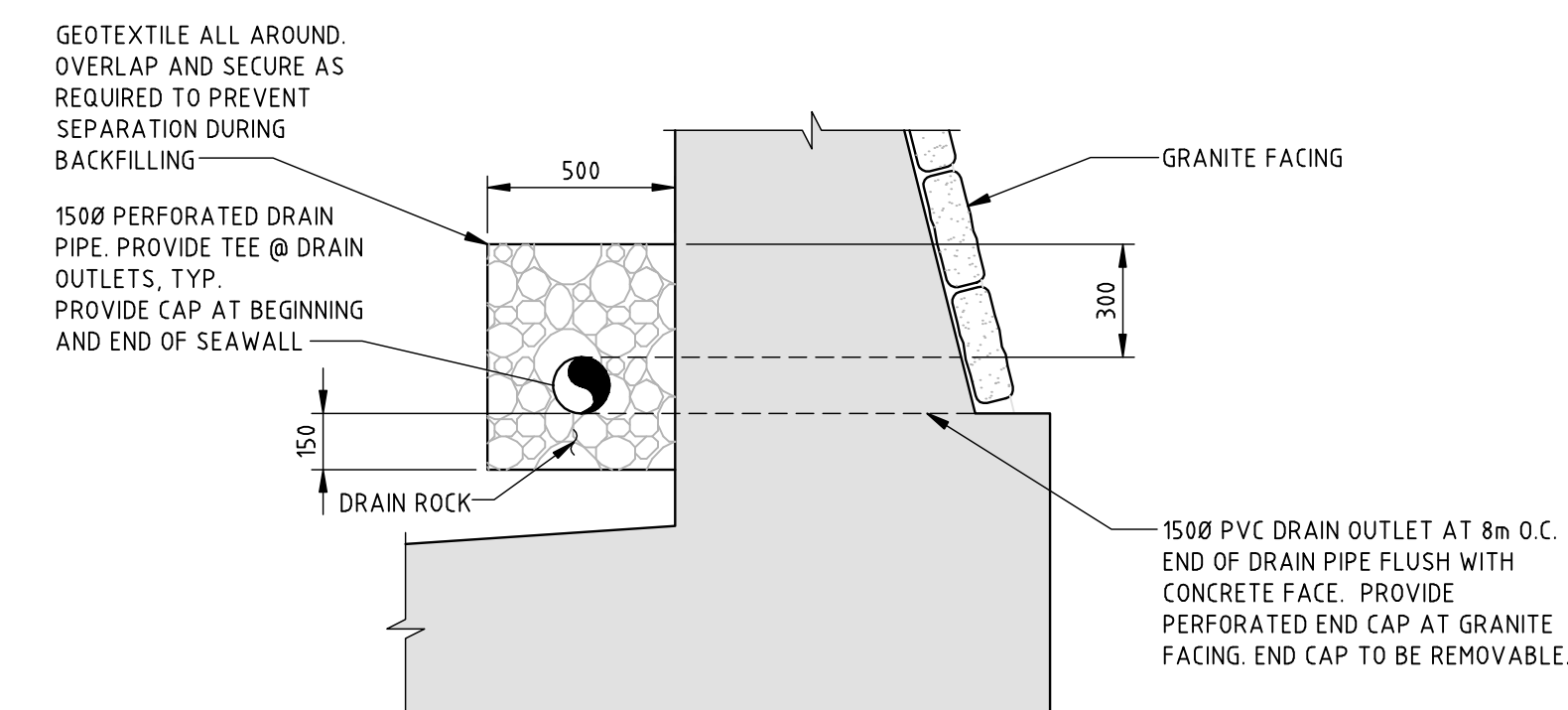
TYPICAL SECTION - RECONSTRUCTED CAST-IN-PLACE CONCRETE SEAWALL AND FOOTING  
1:25



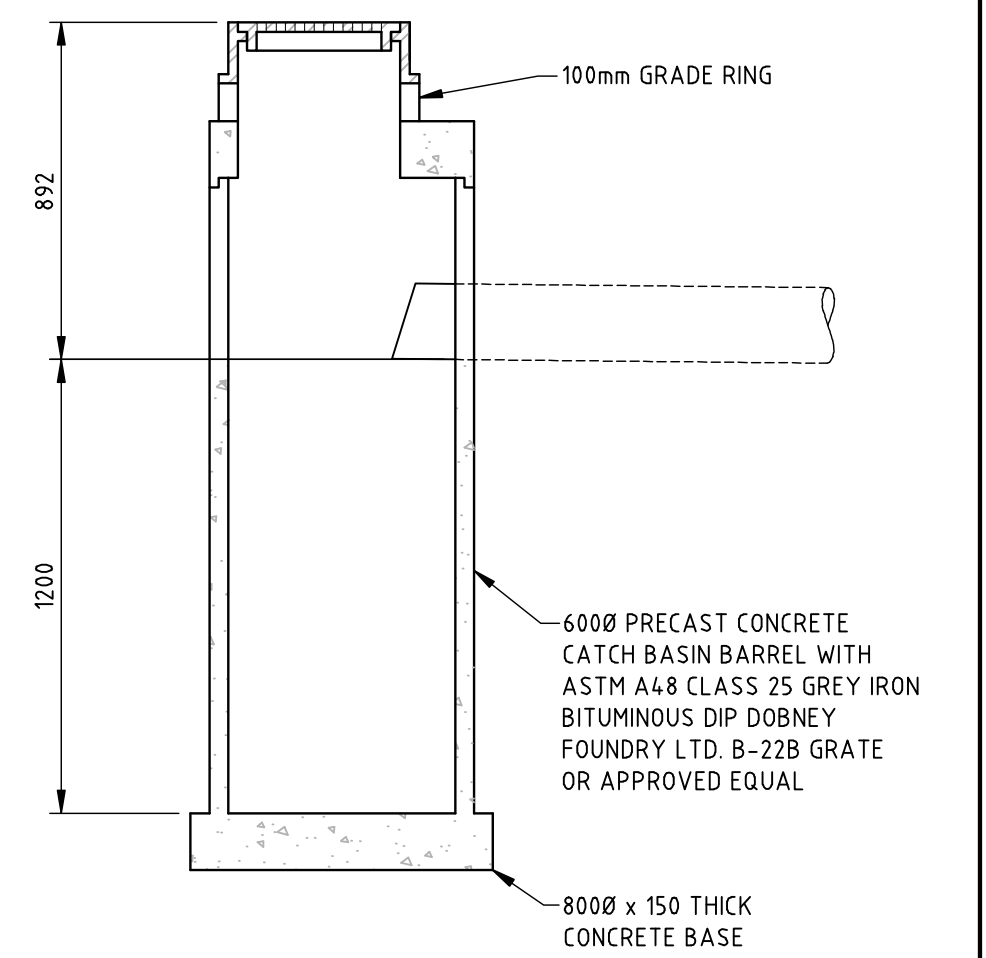
TYPICAL PLAN - CATCHBASIN  
1:100



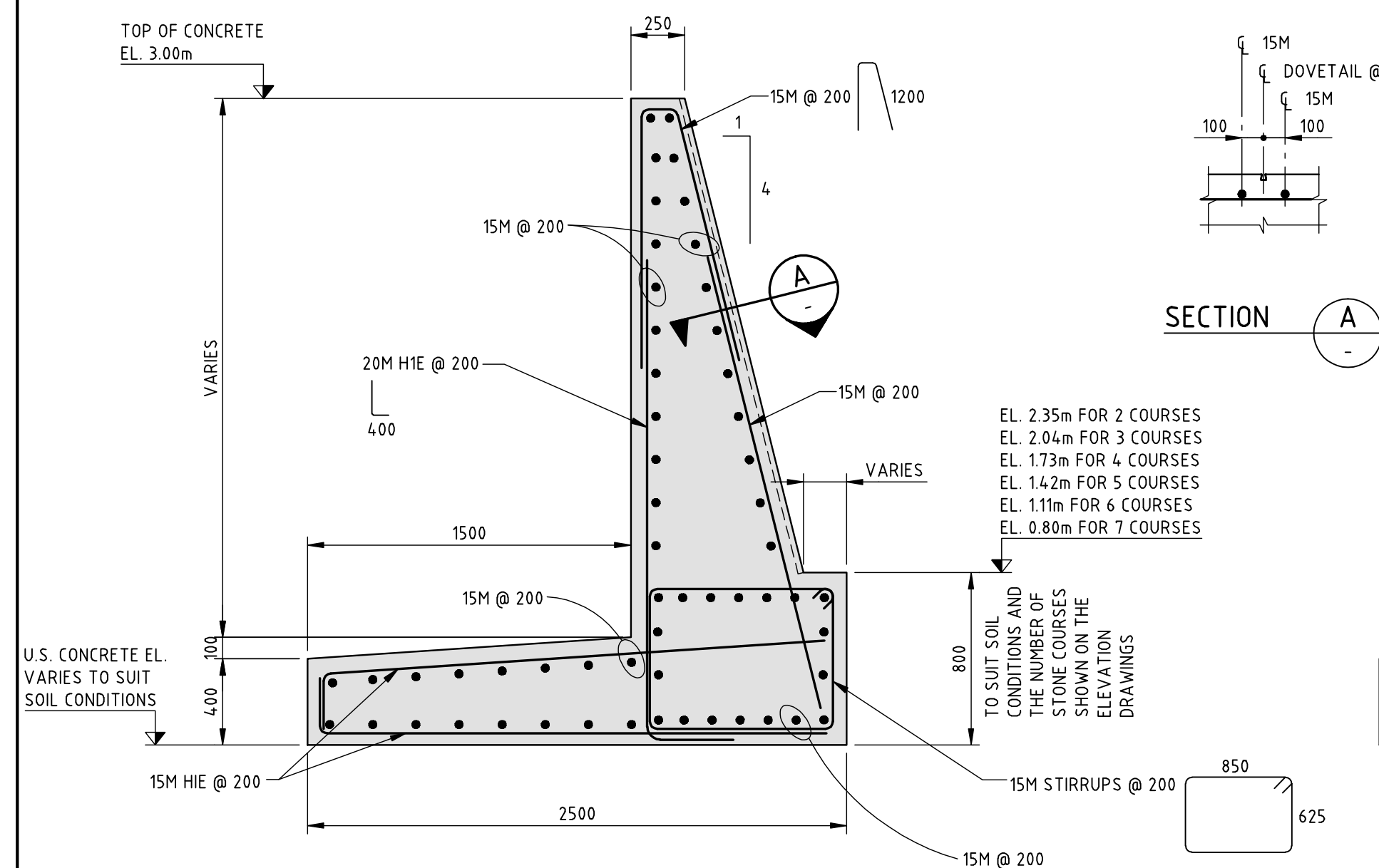
DETAIL 1  
1:10



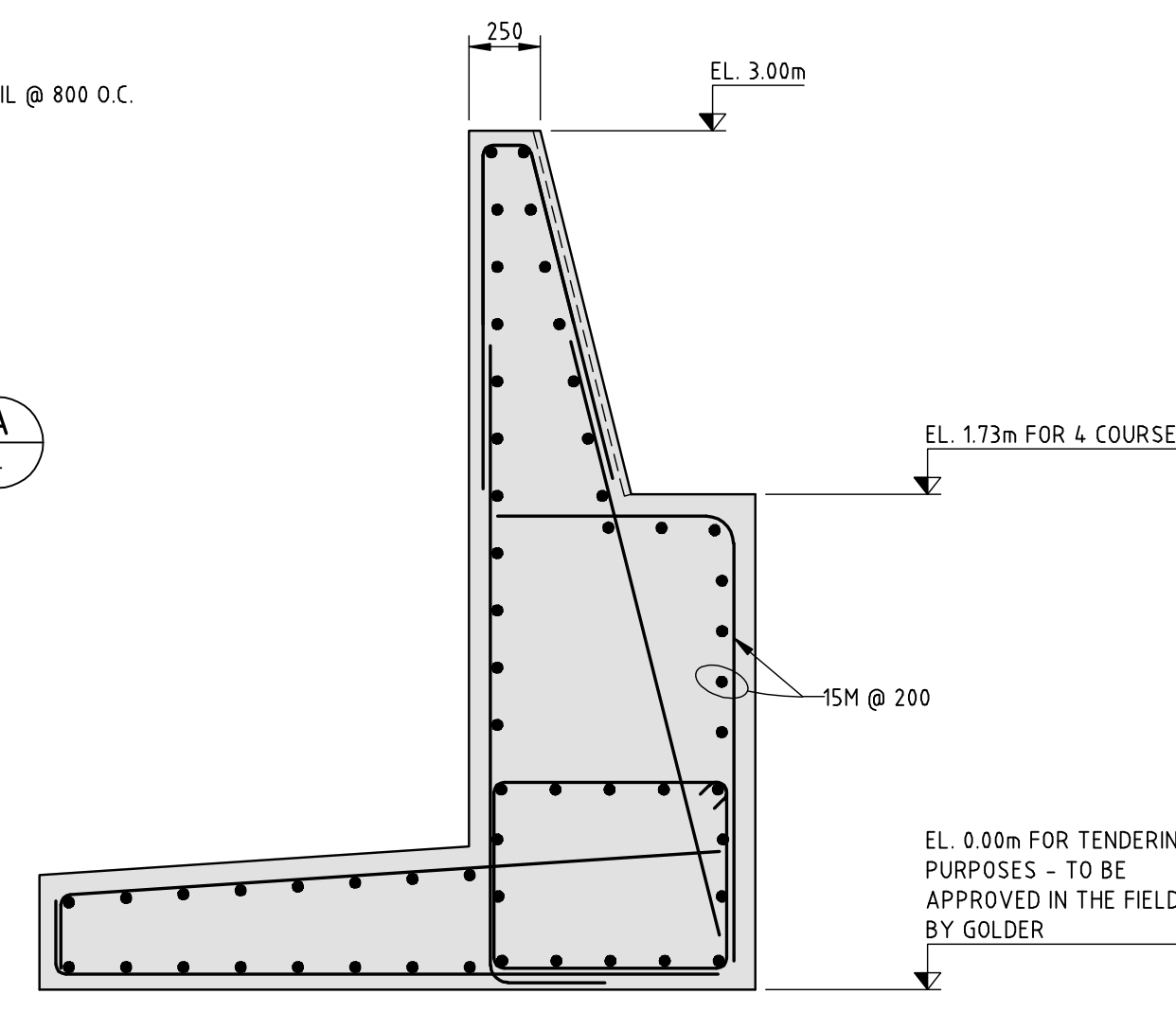
DETAIL 2  
1:20



DETAIL 3  
1:20



TYPICAL SECTION - CONCRETE SEAWALL AND FOOTING  
1:25



EXAMPLE - SECTION AT STATION 1 + 000  
1:25

NOTES:

- FOR GENERAL NOTES, SEE DWG. 09189-00-MA-DAL-1001.

REV	DATE	REVISION DESCRIPTION	DRAWN	DRAFT CHK	DESIGNED	ENG CHK	APPROVED	CUSTOMER	REF DRAWING No	REFERENCE DRAWING TITLE
0	20-JULY-10	ISSUED FOR CONSTRUCTION	CH	RDR	DEL	CPT	-	-		
B	07-JUNE-10	ISSUED FOR TENDER	CH	-	FEW	DEL	DEL	-		
A	31-MAY-10	ISSUED FOR CLIENT REVIEW	CH	-	FEW	DEL	DEL	-		

D SHEET SCALE SHOWN

ENGINEERING AND PERMIT STAMPS (As Required)

CUSTOMER

WorleyParsons PROJECT No  
09189

REV. 0 ORIGINAL SEALED BY DEL P. ENG JUL 20/10

VANCOUVER PARKS & RECREATION

"This drawing is prepared solely for the use of the contractual customer of WorleyParsons Canada Ltd. and WorleyParsons Canada Ltd. assumes no liability to any other party for any representations contained in this drawing."

WorleyParsons resources & energy

STANLEY PARK AND ENGLISH BAY SEAWALL RECONSTRUCTION SEAWALL DETAILS SHEET 1

DRG No 09189-00-MA-DAL-1013 REV 0